

**Main Features:**

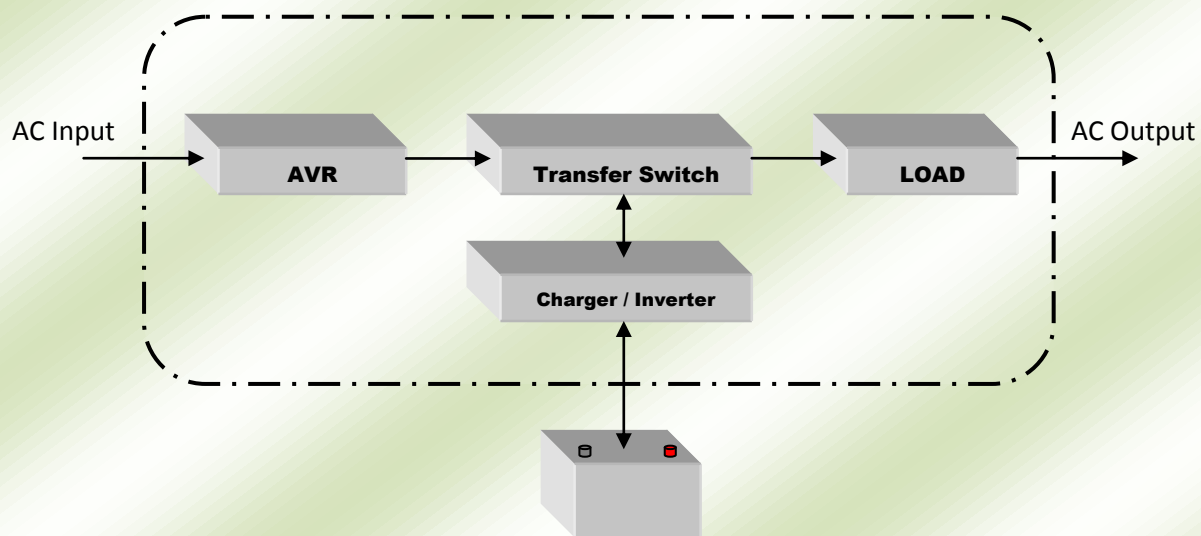
- 24V DC or 220V AC input, 220V AC / 50Hz output with 1200W output power
- Pure sine wave output using IGBT
- Fast auto transfer from line to batteries with approx no effect to connected loads.
- Transformer based structure for strong structure suitable for different types of house loads with continuous **Automatic Voltage Regulator** function.
- Microprocessor & DSP control insure advance performance
- Protection for overload, over voltage, under voltage, over heat
- Full LED and bar graph indication to show battery charge status and load level and mode of operation
- Simple ON / OFF push buttons
- High power charger (360W), 3 stages with constant current, constant voltage then float with intelligent battery management to suit all types of batteries and to protect it from over charge and over discharge.



**Applications:**

Multi function inverter-charger system with auto-transfer switching works as an alternative power source for extended run time when no other source of power is available. Also works as automotive inverter for vans trucks, marine. Perfect choice for home UPS to feed home appliances with no interruption and compatible to work with all office equipment.

**Working principal:**



<b>Specs &amp; product technical details</b>	
<b>Input</b>	
Voltage range	145V to 280V
Frequency	50 Hz $\pm$ 10%
<b>Charger</b>	
Voltage	24V DC (2 blocks of 12V batteries in series)
Current	Up to 15A
Charge method	CPU controlled fast smart charge
Extended back up time:	Back up time depend on capacity of user supplied batteries.
Recommended battery capacity	Up to 300Ah /24V
<b>Output:</b>	
Power:	1200W
Nominal Voltage:	220 V AC $\pm$ 10%
Frequency	50Hz $\pm$ 0.5
Wave form:	Pure Sine Wave
Transfer time:	5ms (Typical)
Overload capability:	120% for 10sec then APS shutdown For loads > 120% APS immediate shutdown APS restart if load returned to < nominal
Protection:	Overload protection (electronic and via resettable CB), Battery over-charge and discharge protection, automatic self test
<b>Interface:</b>	13 LEDs on the front panel to show the following user info: <ul style="list-style-type: none"> <li>- 4 LEDs bargraph to show the battery charge level (25%, 50%, 75% and 100%).</li> <li>- One LED to show battery low alarm (RED)</li> <li>- 4 LEDs bargraph to show the load level (25%, 50%, 75% and 100%).</li> <li>- One LED to show APS overload alarm (RED)</li> <li>- One LED to show mains power presence</li> <li>- One LED to show charger / AVR function</li> <li>- One LED to show APS fault alarm (RED)</li> </ul>
<b>Operation buttons:</b>	Two digital press buttons (ON and OFF)on the front panel.
<b>Input connections:</b>	Battery connection cables (included), Schuko plug for the AC input.
<b>Output receptacles:</b>	3 (International sockets to fit all type of plugs).
<b>Working conditions:</b>	
Ambient Temperature	Recommended: 20 to 25°C
Humidity:	Up to 90% (none condensing)
<b>Dimensions &amp; weight :</b>	
Box (L x W x H): mm	584 x 335 x 495
Unit (L x W x H): mm	452 x 192 x 338
Net weight: kg	17
Gross weight: kg	19.7

**Important note!**

The technical data enclosed is for general information. Please note that the operating instructions and references indicated on the products are for installation, operation and maintenance.

**Product designations**

All GreenWave product designations used are trademarks of GREENWAVE Company. This publication is issued to provide outline information and is not deemed to form any part of any offer or contract. The company has a policy of continuous product development and improvement and we therefore reserve the right to vary any information quoted without prior notice.